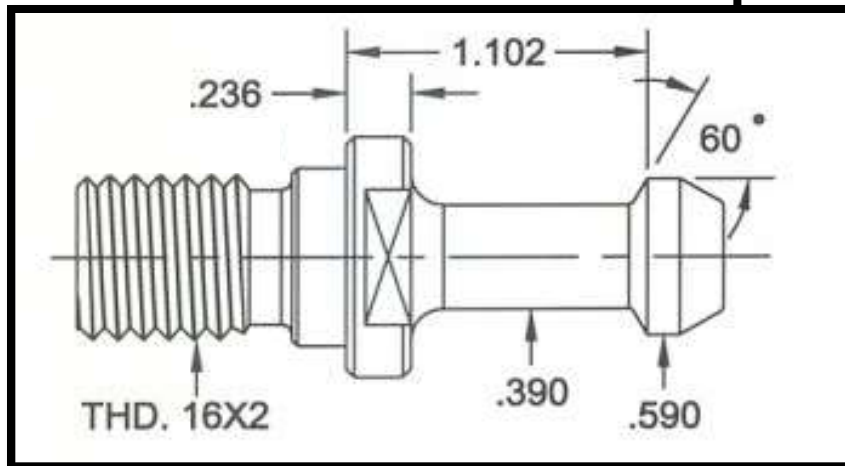
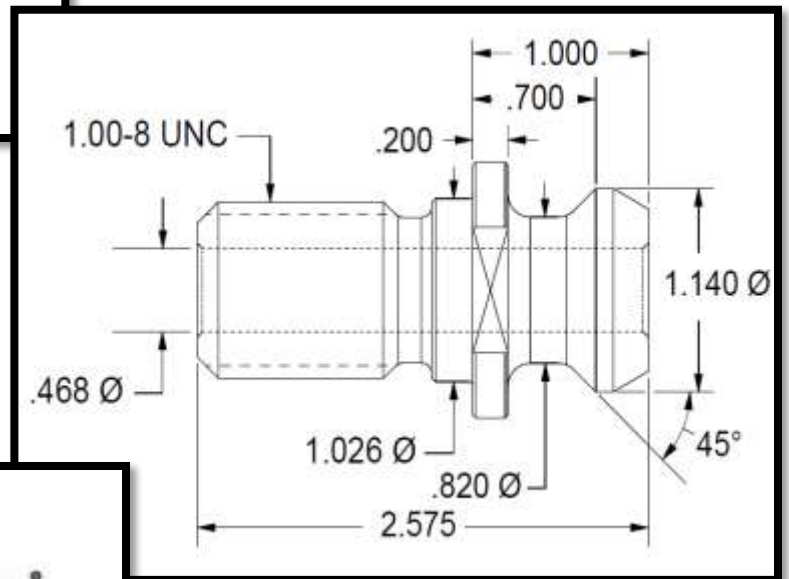
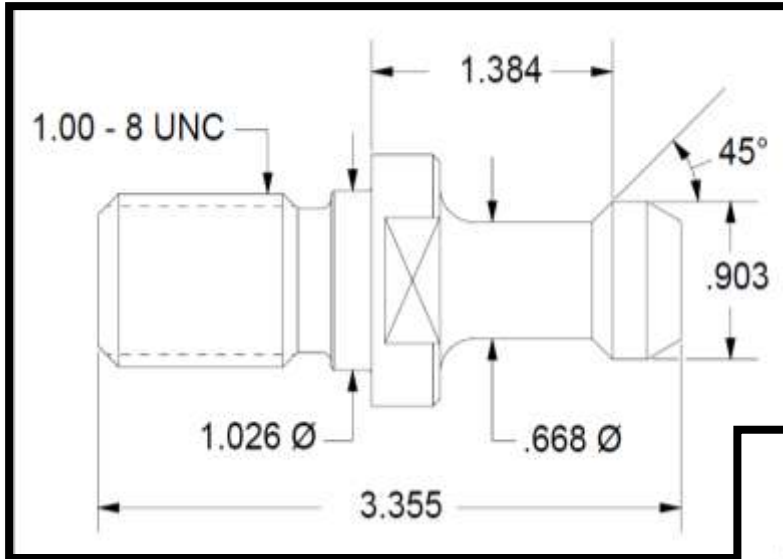


DIAMANT INC.

RETENTION KNOB PROMOTION!

(Limited Quantities Available)



**Please contact
Joseph at
(647) 209-8665
for availability!**

DIAMANT INC. 6355 Kennedy Rd., Unit 9, Mississauga, ON, L5T 2L5

Tel: (905) 670-2984 Fax: (905) 670-1674 Email: sales@diamantinc.ca

Joseph Cell: (647) 209-8665