

**SPECIAL INNOVATIVE TOOLS
FOR MACHING CENTER, CNC LATHE,
AND CHAMFERING, TURNING,
FACING, ENGRAVING**

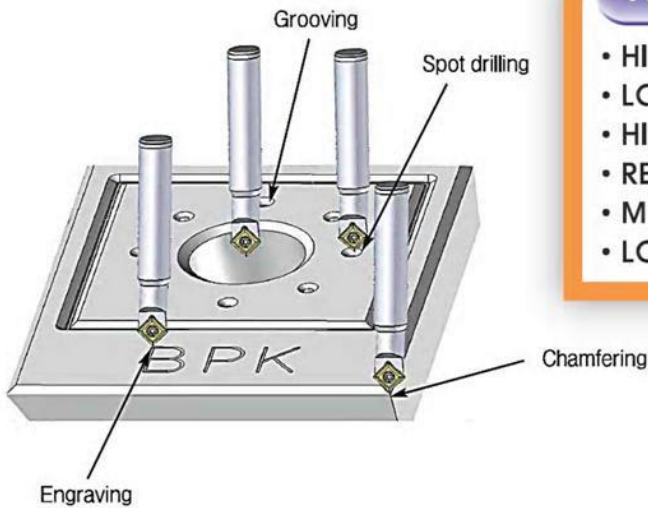
DIAMANT INC.

Tooling Solutions

6355 Kennedy Road, Unit 9
Mississauga, ON L5T 2L5
905-670-2984
Email: sales@diamantinc.ca
www.diamantinc.ca

ADVANTAGE

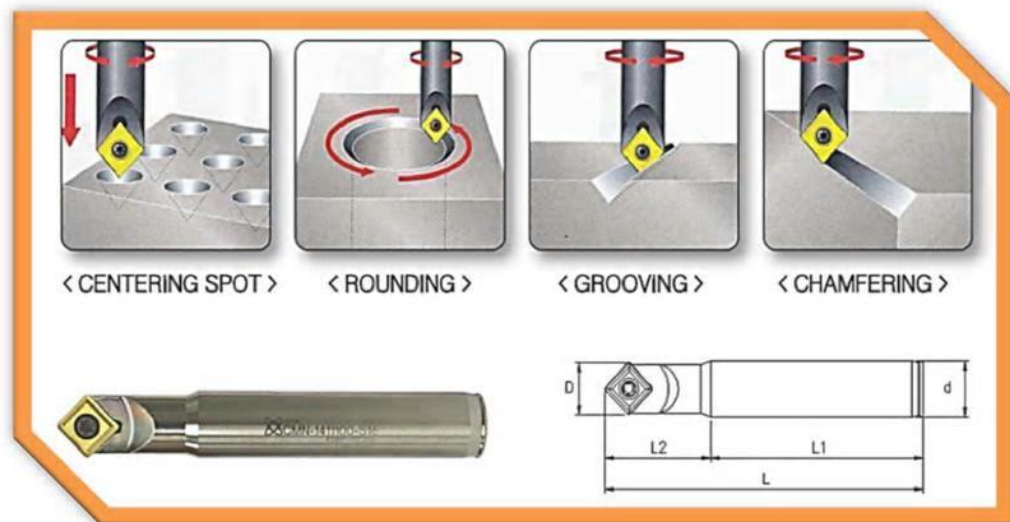
- HIGH EFFICIENCY
- LONG TOOL LIFE
- HIGH ACCURACY
- REDUCE CYCLE TIME
- MULTIFUNCTION
- LOW COST



KIT \$165



CENTER & CHAMFER DRILL



ORDER. NO.	DIMENSION							
	D	d	L	L1	L2			
CMN-1411100-S16	14	16	100	67	33	XDBP11T304	TSB-3508	TXL-15
KIT CMN-1411100-S16-6SET	14	16	100	67	33	XDBP11T304 6PCS	TSB-3508	TXL-15

• USING 4 CUTTING INSERT EDGES & INDEXABLE INSERT